

# Saab Price Guide



# Contents

## Saab 9-3 Saloon and SportWagon

Pricing	2
Standard Features	6
Options	7
Interior Trim Colour	9
Engine Specifications	10
Specifications	10
Engine Performance	11
Dimensions	12
Accessories	13

## Saab 9-3 Convertible

Pricing	15
Standard Features	18
Options	19
Interior Trim Colour	20
Engine Specifications	21
Engine Performance	21
Specifications	22
Dimensions	22
Accessories	13

Saab care, Warranty and Saab Finance	23
Vehicle Excise Duty and Company Car Taxation	24
Exterior Colours	25



# The Saab 9-3. Designed to perform.

Get ready for an inspirational driving experience. The dynamic, sleek and purposeful design is a clear indication of what to expect, but it's just the start. Everyday convenience is catered for with world-class real-life safety and innovative technical features. The Turbo Edition shows most clearly that the 9-3 is perfect for the current climate. Combining the low emission EcoPower engines with a high standard specification at a very attractive price. The 9-3X offers a rugged exterior with an elevated all-wheel drive capability that is equally at home on asphalt or loose trails.



# Turbo Edition

Exceed expectations.



## Pricing and information

	PS	Insurance Group	Basic Price	VAT 20%	Recommended Retail Price	Total On The Road Price*
<b>Saloon Four-door</b>						
Turbo Edition 1.9TTiD	130	24E	£18,140.43	£3,628.09	£21,768.51	£22,463.51
Turbo Edition 1.9TTiD	160	25E	£18,565.96	£3,713.19	£22,279.15	£22,974.15
Turbo Edition 1.9TTiD	180	28E	£18,991.49	£3,798.30	£22,789.79	£23,484.79
Turbo Edition 1.8t	150	23E	£17,157.45	£3,431.49	£20,588.94	£21,438.94
<b>SportWagon Five-door</b>						
Turbo Edition 1.9TTiD	130	24E	£19,076.60	£3,815.32	£22,891.92	£23,586.92
Turbo Edition 1.9TTiD	160	25E	£19,502.13	£3,900.43	£23,402.56	£24,097.56
Turbo Edition 1.9TTiD	180	28E	£19,927.66	£3,985.53	£23,913.19	£24,608.19
Turbo Edition 1.8t	150	23E	£18,093.62	£3,618.72	£21,712.34	£22,657.34

\*Total on the Road Price includes delivery to the Dealer, number plates, 12 months Government Road Fund Licence (Vehicle Excise Duty) and £55 New Vehicle First Registration Fee. From 1 March 2001 Vehicle Excise Duty is payable according to the vehicle's CO<sub>2</sub> emission figure and type of fuel. To find out the duty included in the Total on the Road Price please see table on page 24. The duty may increase with automatic transmission due to increased CO<sub>2</sub> emissions.

### Standard Wheel



17" 5-spoke alloy wheel (ALU59)

### Optional Wheel<sup>#</sup>



18" 10-spoke alloy wheel (ALU65)

### Optional Wheel<sup>#</sup>



17" 5-spoke alloy wheel (ALU81)

<sup>#</sup>Not available with Saloon 1.9TTiD engines with manual transmission

\*Available only with TX Design Pack

# Vector Sport

## Performance and dynamics.



### Pricing and information

	PS	Insurance Group	Basic Price	VAT 20%	Recommended Retail Price	Total On The Road Price*
<b>Saloon Four-door</b>						
Vector Sport 1.9TTiD	130	24E	£20,693.62	£4,138.72	£24,832.34	£25,527.34
Vector Sport 1.9TTiD	160	26E	£21,119.15	£4,223.83	£25,342.98	£26,037.98
Vector Sport 1.9TTiD	180	29E	£21,544.68	£4,308.94	£25,853.62	£26,548.62
Vector Sport 1.8t	150	23E	£19,710.64	£3,942.13	£23,652.77	£24,502.77
Vector Sport 1.8t BioPower <sup>†</sup>	175	26E	£20,221.28	£4,044.26	£24,265.54	£25,105.54
<b>SportWagon Five-door</b>						
Vector Sport 1.9TTiD	130	24E	£21,629.79	£4,325.96	£25,955.75	£26,650.75
Vector Sport 1.9TTiD	160	26E	£22,055.32	£4,411.06	£26,466.38	£27,161.38
Vector Sport 1.9TTiD	180	29E	£22,480.85	£4,496.17	£26,977.02	£27,672.02
Vector Sport 1.8t	150	23E	£20,646.81	£4,129.36	£24,776.17	£25,721.17
Vector Sport 1.8t BioPower <sup>†</sup>	175	26E	£21,157.45	£4,231.49	£25,388.94	£26,323.94

\*Total on the Road Price includes delivery to the Dealer, number plates, 12 months Government Road Fund Licence (Vehicle Excise Duty) and £55 New Vehicle First Registration Fee. From 1 March 2001 Vehicle Excise Duty is payable according to the vehicle's CO<sub>2</sub> emission figure and type of fuel. To find out the duty included in the Total on the Road Price please see table on page 24. The duty may increase with automatic transmission due to increased CO<sub>2</sub> emissions.

<sup>†</sup>BioPower models are flex-fuel vehicles capable of running on standard unleaded petrol, E85 bioethanol or any combination thereof. The performance figures shown are for a car running on E85 bioethanol.

#### Standard Wheel



17" 5-spoke alloy wheel  
(ALU59)

#### Optional Wheel



17" 5-spoke Split alloy wheel  
(ALU50)

#### Optional Wheel<sup>#</sup>



18" 10-spoke alloy wheel  
(ALU65)

<sup>#</sup>Not available with Saloon 1.9TTiD engines with manual transmission

# Aero

Passion for power.



## Pricing and information

	PS	Insurance Group	Basic Price	VAT 20%	Recommended Retail Price	Total On The Road Price*
<b>Saloon Four-door</b>						
Aero 1.9TTiD	180	29E	£22,446.81	£4,489.36	£26,936.17	£27,631.17
Aero 2.0T	210	30E	£21,893.62	£4,378.72	£26,272.34	£27,217.34
Aero 2.0T XWD <sup>#</sup>	210	30E	£23,340.43	£4,668.09	£28,008.52	£29,128.52
<b>SportWagon Five-door</b>						
Aero 1.9TTiD	180	29E	£23,382.98	£4,676.60	£28,059.58	£28,864.58
Aero 2.0T	210	30E	£22,829.79	£4,565.96	£27,395.75	£28,340.75
Aero 2.0T XWD <sup>#</sup>	210	30E	£24,276.60	£4,855.32	£29,131.92	£30,251.92

\*Total on the Road Price includes delivery to the Dealer, number plates, 12 months Government Road Fund Licence (Vehicle Excise Duty) and £55 New Vehicle First Registration Fee. From 1 March 2001 Vehicle Excise Duty is payable according to the vehicle's CO<sub>2</sub> emission figure and type of fuel. To find out the duty included in the Total on the Road Price please see table on page 24. The duty may increase with automatic transmission due to increased CO<sub>2</sub> emissions.

<sup>#</sup>XWD sport chassis has a ride height that is 25mm higher than the Aero front wheel drive sport chassis.

**Standard Wheel**



18" 10-spoke alloy wheel (ALU65)

**Optional Wheel**



18" V-spoke split alloy wheel (ALU73)

**Optional Wheel<sup>#</sup>**



18" 6-spoke alloy wheel (ALU77)

\*Available only with TX Design Pack

# 9-3X

## Trail Runner.



### Pricing and information

SportWagon Five-door	PS	Insurance Group	Basic Price	VAT 20%	Recommended Retail Price	Total On The Road Price*
9-3X 1.9TTiD	180	27E	£21,110.64	£4,222.13	£25,332.77	£26,137.77
9-3X 2.0T XWD	210	27E	£21,872.34	£4,374.47	£26,246.81	£27,366.81

\*Total on the Road Price includes delivery to the Dealer, number plates, 12 months Government Road Fund Licence (Vehicle Excise Duty) and £55 New Vehicle First Registration Fee. From 1 March 2001 Vehicle Excise Duty is payable according to the vehicle's CO<sub>2</sub> emission figure and type of fuel. To find out the duty included in the Total on the Road Price please see table on page 24. The duty may increase with automatic transmission due to increased CO<sub>2</sub> emissions.

#### Standard Wheel



7" 5-spoke alloy wheel (ALU82)

#### Optional Wheel\*



18" 10-spoke alloy wheel (ALU65)

#### Optional Wheel\*



18" V-spoke split alloy wheel (ALU73)

\*Not available with 1.9TTiD engine with manual transmission

# Saab 9-3 Standard Features

	Turbo Edition	Vector Sport	Aero	9-3X
<b>Interior</b>				
Leather/Textile sport seats		•		•
Leather Appointed seats	•			
Leather faced sport seats			•	
Heated front seats	•	•	•	•
Leather steering wheel	•			
Sport leather steering wheel		•		•
Perforated sport leather steering wheel			•	
Leather gear knob	•	•	•	•
Shark Grey interior trim (gearlever surround and door trim)	•			
Metal-finish interior trim (gearlever surround, doors and fascia)		•	•	
Dark-Titan interior trim (gearlever surround, doors and fascia)				•
Adjustable steering wheel; height and reach	•	•	•	•
Audio/telephone controls in steering wheel	•	•	•	•
Bluetooth phone integration system*	•	•	•	•
Dual-zone automatic climate control with cooled glove box	•	•	•	•
Driving Pack (cruise control and car computer)	•	•	•	•
Comfort Pack (cupholders, adjustable driver's armrest, carpet mats)	•	•	•	•
Electric windows; front and rear	•	•	•	•
One touch closing windows	•	•	•	•
Facility for hands-free mobile telephone fitment	•	•	•	•
Front ashtray with cigar lighter	•	•	•	•
Illuminated vanity mirrors	•	•	•	•
Interior light delay	•	•	•	•
Multi-purpose centre console (storage, armrest, coin holder, 12v socket)	•	•	•	•
Night Panel function	•	•	•	•
Pollen cabin filter	•	•	•	•
Rear centre armrest plus ski flap	•	•	•	•
Saab Information Display including Profiler system for personalised settings	•	•	•	•
Single CD player, 7 speakers, 150w	•	•	•	•
Split fold rear seat (60/40) with ski hatch	•	•	•	•
Tinted windows with heat absorbent glass	•	•	•	•
<b>Security</b>				
Anti-theft alarm and immobiliser, Thatcham Category 1	•	•	•	•
Cargo cover (SportWagon only)	•	•	•	•
Remote control central locking with dead locks	•	•	•	•
Visible VIN plate	•	•	•	•

\*Not all phones support full integration. For confirmation of the level of functionality, please visit your Dealer to test your phone with the system.

	Turbo Edition	Vector Sport	Aero	9-3X
<b>Powertrain and Chassis</b>				
17" alloy wheels (5-spoke, ALU59)	•	•		
17" alloy wheels (5-spoke, ALU82)				•
18" alloy wheels (10-spoke ALU65)			•	
Anti-lock Braking System (ABS)	•	•	•	•
Cornering Brake Control (CBC)	•	•	•	•
Dual balancer shafts (petrol engines)	•	•	•	•
Electronic Brake-force Distribution (EBD)	•	•	•	•
Electronic Stability Programme (ESP)	•	•	•	•
Performance brakes			•	
Manual 6-speed gearbox	•	•	•	•
Mechanical Brake Assist (MBA)	•	•	•	•
Power steering	•	•	•	•
Space saver spare wheel	•	•	•	• <sup>1</sup>
Tyre pressure monitoring system			•	
Tyre repair kit				• <sup>2</sup>
Traction Control System (TCS)	•	•	•	•
Sport chassis (body levelling on 2.0T XWD)		•	•	
9-3X chassis (2.0T XWD raised 35mm and 1.9TTiD raised 20mm above standard chassis) (body levelling on 2.0T XWD)				•
XWD with Electronic Limited Slip Differential (2.0T XWD only)			•	•
<b>Exterior and Lighting</b>				
'Follow me home' headlight delay function	•	•	•	•
Bi-xenon headlights with headlight pressure washers			•	
Front fog lights	•	•	•	•
Colour-matched exterior	•	•	•	•
Aero front and rear bumpers with twin sport exhausts			•	
9-3X front and rear bumpers with twin sport exhausts				•
Electrically adjustable and heated door mirrors	•	•	•	•
Integral rear screen radio aerial	•	•	•	•
Matt chrome bootlid trim	•	•	•	•
Mobile telephone antenna	•	•	•	•
Rear wash/wipe (SportWagon only)	•	•	•	•
Rear parking assistance	•	•	•	•
<b>Safety</b>				
Adaptive dual stage driver's and front passenger's airbags	•	•	•	•
Adjustable rear head restraints	•	•	•	•
High-level brake light	•	•	•	•
ISOFIX rear child seat anchorage points	•	•	•	•
Load shift protection	•	•	•	•
Saab Active Head Restraints (SAHR), front seats	•	•	•	•
Saab Safeseat; anti-submarining with five 3-point seatbelts	•	•	•	•
Seatbelt pre-tensioners; front and rear outer seats	•	•	•	•
Seatbelt load limiters; front and rear seats	•	•	•	•
Side airbags, front seat mounted	•	•	•	•
Side curtain airbags	•	•	•	•
Side impact protection	•	•	•	•

<sup>1</sup>Not 9-3X TTiD Manual <sup>2</sup>9-3X TTiD Manual only



# Saab 9-3 Options

	Turbo Edition	Vector Sport	Aero	9-3X
<b>Chassis and Transmission</b>				
17" 5-spoke Split alloy wheels (ALU50)	–	£102.13	–	–
18" 10-spoke alloy wheels (ALU65)* with tyre pressure monitoring system	£817.02	£817.02	STD	£817.02
18" V-spoke alloy wheels (ALU73)* with tyre pressure monitoring system	–	–	£255.32	£817.02
Tyre pressure monitoring system (17" ALU81/82 wheels only)	£204.26	£204.26	–	£204.26
Sport chassis (only available with 17" wheels)	£255.32	STD	STD	–
Cross Wheel Drive with Electronic Limited Slip Differential (XWD with eLSD) (2.0T only)	–	–	£1,736.17	STD
Automatic 5-speed transmission (1.8t, 1.8t BioPower & 2.0T engines)	£1,378.72	£1,378.72	£1,378.72	–
Automatic 6-speed transmission (1.9TTiD 160PS, 1.9TTiD 180PS & 2.0T XWD engines)	£1,378.72	£1,378.72	£1,378.72	£1,378.72
<b>Interior</b>				
Leather faced sport seats	–	£510.64	STD	£510.64
Premium Natural leather sport interior	–	£1,378.72	£1,174.47	£1,378.72
Electric driver's seat	£561.70	£561.70	£561.70	£561.70
Rear centre head restraint	£51.06	£51.06	£51.06	£51.06
Carbon fibre effect interior trim	–	–	£199.15	£199.15
Red walnut interior trim	£306.38	£153.19	£153.19	£153.19
<b>Infotainment</b>				
Six-disc CD autochanger	£204.26	£204.26	£204.26	£204.26
BOSE Surround Sound audio, Six-disc CD autochanger, 10 speakers SportWagon/11 speakers Saloon	£868.09	£868.09	£868.09	£868.09
DVD Satellite Navigation, 6.5" colour touchscreen, TMC, voice control <sup>†</sup>	£2,022.13	£2,022.13	£2,022.13	£2,022.13
DVD Satellite Navigation, 6.5" colour touchscreen, TMC, voice control, BOSE Surround Sound audio, 10 speakers SportWagon/11 speakers Saloon <sup>†</sup>	£2,685.96	£2,685.96	£2,685.96	£2,685.96
<b>Exterior and Lighting</b>				
Metallic paint	£536.17	£536.17	£536.17	£536.17
Dark tinted windows (SportWagon only)	£301.28	£301.28	£301.28	£301.28
Headlight pressure washers	£204.26	£204.26	STD	£204.26
Electric glass sunroof (not available with 9-3X 1.9TTiD with manual transmission)	£612.77	£612.77	£612.77	£612.77
Bi-Xenon cornering headlights with auto levelling and headlight pressure washers	£1,016.17	£1,016.17	£403.40	£1,016.17
Matt chrome roof rails (SportWagon only)	£122.55	£122.55	£122.55	STD

	Turbo Edition	Vector Sport	Aero	9-3X
<b>Convenience Pack</b>				
Electric folding mirrors, auto dimming interior and exterior mirrors, rain sensor wipers	£403.40	£403.40	£403.40	£403.40
<b>Convenience Plus Pack</b>				
Dual electric seats with driver's 3-position memory, electric folding mirrors, auto dimming interior and exterior mirrors, rain sensor wipers	£1,271.49	£1,271.49	£1,271.49	£1,271.49
<b>Cargo Pack (SportWagon only)</b>				
Floor net, side net, grocery bag net, fold flat passenger seat	£255.32	–	–	–
Floor net, side net, grocery bag net	–	£178.72	£178.72	£178.72
<b>Executive Pack<sup>#</sup></b>				
Premium Natural leather sport interior trim, dual electric seats with driver's 3-position memory	–	£1,812.77	£1,736.17	£1,812.77
<b>Performance Pack<sup>#</sup></b>				
Bi-xenon cornering headlights, headlight pressure washers, 18" 10-spoke alloy wheels (ALU65)	–	£1,322.55	–	£1,322.55
<b>Prestige Pack<sup>#</sup></b>				
Dual electric seats with driver's 3-position memory, BOSE Surround Sound audio, Six-disc CD autochanger, 10/11 speakers	–	£1,582.98	£1,582.98	£1,582.98
<b>TX Design Pack (Turbo Edition)</b>				
Aero front bumper with anthracite insert, anthracite rear bootlid handle, titanium finish grille & fog light surrounds, 17" alloy wheel (ALU81), perforated leather sport steering wheel, carbon fibre effect interior trim, carpet floor mats with grey edge piping	£607.66	–	–	–
<b>TX Design Pack (Aero)</b>				
Front bumper anthracite insert, rear bumper anthracite insert and twin round tailpipes, anthracite rear bootlid handle, titanium finish grille & fog light surrounds, 18" alloy wheel (ALU77), carbon fibre effect interior trim, carpet floor mats with grey edge piping, black leather sport seats	–	–	£607.66	–

\*Not available with Turbo Edition Saloon, Vector Sport Saloon and 9-3X with 1.9TTiD engine and manual transmission.

<sup>†</sup>Not available with Six-disc CD autochanger.

<sup>#</sup>Must be combined with Convenience Pack. Option prices incl. VAT at 20%.



# Interior Trim Colour

## Saloon & SportWagon

Seat Style	Trim Code	Seat Colour	Dashboard (upper   lower)	Door Inserts	Carpet	Headlining
<b>Leather Appointed</b>	B02	●	●	●	●	○
	L02	○	●   ○	○	●	○
<b>Leather/Textile Sport</b>	B05	●   ○	●	●	●	○
	L05	○   ●	●   ○	○	●	○
<b>Leather/Textile Sport 9-3X</b>	B53	●   ●	●	●	●	○
	L53	○   ●	●   ○	○	●	○
<b>Leather Sport</b>	B09	●   ○	●	●	●	○
	L09	○   ●	●   ○	○	●	○
<b>Leather Sport TX Design Pack</b>	B10	●	●	●	●	○
<b>Premium Natural Leather Sport</b>	B50	●	●	●	●	○
	K50	●   ●	●	●	●	○
	L50	○	●   ○	○	●	○

Black ● Grey ● Parchment ○

# Saab 9-3 Engine Specifications

Engine	Cylinder layout	Type	Fuel	Displacement (cc)	Power PS (kW) at rpm	Torque Nm (lb ft) at rpm	Turbocharger	Intercooler	Diesel Particle Filter	Emissions level
1.8t	4cyl	Low pressure turbo	Petrol	1998	150 (110) at 5500	240 (177) at 2000	Yes	Yes	–	Euro 5
1.8t BioPower	4cyl	Low pressure turbo	Petrol	1998	175 (129) at 5500	265 (195) at 2500	Yes	Yes	–	Euro 5
2.0T	4cyl	High pressure turbo	Petrol	1998	210 (154) at 5300	300 (221) at 2500	Yes	Yes	–	Euro 5
2.0T XWD	4cyl	High pressure turbo	Petrol	1998	210 (154) at 5300	300 (221) at 2500	Yes	Yes	–	Euro 5
1.9TTiD	4cyl	Twin turbo	Diesel	1910	130 (96) at 4000	320 (236) at 1500	Yes (x2)	Yes	Yes	Euro 5
1.9TTiD	4cyl	Twin turbo	Diesel	1910	160 (118) at 4000	360 (266) at 1750	Yes (x2)	Yes	Yes	Euro 5
1.9TTiD	4cyl	Twin turbo	Diesel	1910	180 (132) at 4000	400 (295) at 1800	Yes (x2)	Yes	Yes	Euro 5

## Specifications

### Transmission

Transverse drive unit and front wheel drive/XWD. Full synchromesh, 6-speed manual gearbox. Optional 5-speed, electronically controlled automatic transmission with Sentronic steering wheel shift controls. Optional 6-speed, electronically controlled automatic transmission with Sentronic steering wheel shift controls (1.9TTiD (160PS), 1.9TTiD (180PS) & 2.0T XWD).

### Traction Control System (TCS)

Monitors and reduces wheel-spin on the driven wheels individually by controlling the brakes and the electronic throttle.

### Electronic Stability Programme (ESP)

Monitors and reduces skidding. Compares steering input, lateral acceleration and rotation of each wheel. Controls the brakes and the electronic throttle. Includes traction control system (TCS).

### Steering

Power-assisted rack and pinion steering. Steering wheel adjustable for rake and reach. Turning circle diameter 10.8 m (kerb to kerb).

### Brakes

Power-assisted disc brakes all round, ventilated at the front. Ventilating rear disc brakes (Aero and 9-3X 2.0T XWD). Anti-lock Braking System (ABS) with Electronic Brake-force Distribution (EBD), Mechanical Brake Assist (MBA) and Cornering Brake Control (CBC). Handbrake acting on separate rear brake shoes.

### Suspension front

MacPherson spring struts with twin tube gas shock absorbers. Anti-roll bar.

### Suspension rear

Independent multi-link rear suspension. Spring struts with gas shock absorbers. Anti-roll bar.

### Fuel tank capacity

58 litres.  
61 litres XWD/BioPower.

### Luggage compartment

9-3 Saloon volume; 425 litres VDA.  
9-3 SportWagon volume; 419 litres VDA.  
9-3 SportWagon volume; 1,287 litres VDA with rear seats folded down.  
Rear seat folds down completely or 60/40.  
Ski hatch.

### Weights

Max. trailer load: 1,600 kg.  
Max. roof load: 100 kg.  
Kerb weight: 1,495–1,820 kg depending on model and specification.  
Max. total weight: 1,980–2,200 kg depending on model and specification.

# Fuel Consumption and Performance

## Saab 9-3 Saloon

Engine Transmission	Emissions CO <sub>2</sub> (g/km)	P11D Band %	Fuel economy MPG			Fuel economy Litres/100km			Performance	
			City	Highway	Combined	City	Highway	Combined	Top speed (mph)	0-60 mph (sec)
<b>1.8t (150PS)</b> Man 6 spd/Auto 5 spd	164/196	21/28	27.4/23.0	53.3/44.8	39.8/33.2	10.3/12.3	5.3/6.3	7.1/8.5	131/131	9.0/10.2
<b>1.8t BioPower (175PS)</b> Man 6 spd/Auto 5 spd	164/196	19/26	27.4/23.0	53.3/44.8	39.8/33.2	10.3/12.3	5.3/6.3	7.1/8.5	131/131	7.9/8.9
<b>2.0T (210PS)</b> Man 6 spd/Auto 5 spd	169/198	22/28	26.6/21.9	52.3/45.6	38.7/32.8	10.6/12.9	5.4/6.2	7.3/8.6	146/143	7.4/8.3
<b>2.0T XWD (210PS)</b> Man 6 spd/Auto 6 spd	193/224	27/33	25.2/19.5	42.2/39.8	33.6/29.1	11.2/14.5	6.7/7.1	8.4/9.7	146/140	7.9/8.9
<b>1.9TTiD (130PS)</b> Man 6 spd	119	13	49.6	72.4	62.8	5.7	3.9	4.5	130	10.5
<b>1.9TTiD (160PS)</b> Man 6 spd/Auto 6 spd	119/153	13/22	49.6/36.7	72.4/60.1	62.8/48.7	5.7/7.7	3.9/4.7	4.5/5.8	140/137	9.0/9.0
<b>1.9TTiD (180PS)</b> Man 6 spd/Auto 6 spd	119/153	13/22	49.6/36.7	72.4/60.1	62.8/48.7	5.7/7.7	3.9/4.7	4.5/5.8	143/140	8.0/8.2
<b>1.9TTiD (180PS) Aero</b> Man 6 spd/Auto 6 spd	129/153	18/22	45.6/36.7	67.3/60.1	57.7/48.7	6.2/7.7	4.2/4.7	4.9/5.8	143/140	8.0/8.2

## Saab 9-3 SportWagon

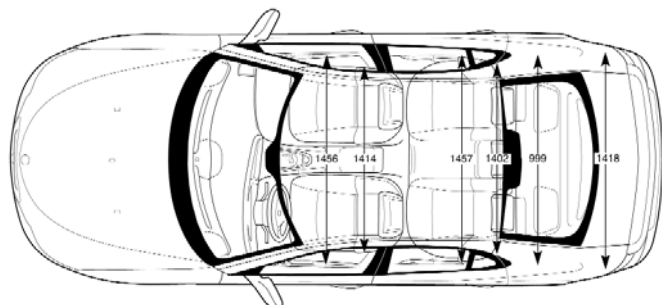
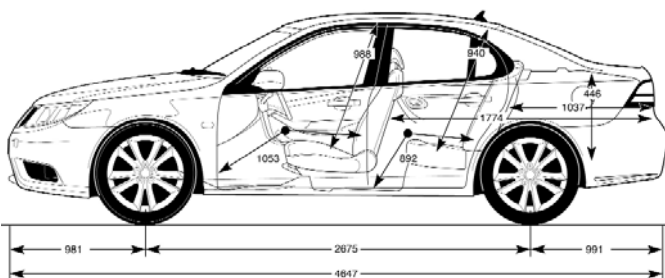
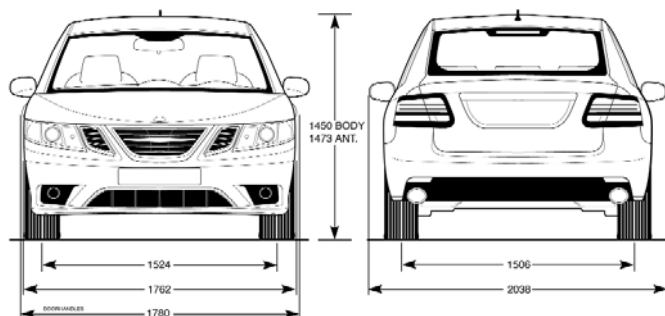
Engine Transmission	Emissions CO <sub>2</sub> (g/km)	P11D Band %	Fuel economy MPG			Fuel economy Litres/100km			Performance	
			City	Highway	Combined	City	Highway	Combined	Top speed (mph)	0-60 mph (sec)
<b>1.8t (150PS)</b> Man 6 spd/Auto 5 spd	169/199	22/28	26.4/22.6	52.3/43.5	38.7/32.8	10.7/12.5	5.4/6.5	7.3/8.6	127/124	9.7/10.8
<b>1.8t BioPower (175PS)</b> Man 6 spd/Auto 5 spd	169/199	20/26	26.4/22.6	52.3/43.5	38.7/32.8	10.7/12.5	5.4/6.5	7.3/8.6	131/131	8.2/9.2
<b>2.0T (210PS)</b> Man 6 spd/Auto 5 spd	174/199	23/28	26.9/22.4	48.7/44.1	37.2/32.8	10.5/12.6	5.8/6.4	7.6/8.6	143/140	7.5/8.6
<b>2.0T XWD (210PS)</b> Man 6 spd/Auto 6 spd	186/229	26/34	25.9/19.5	44.1/38.7	34.9/28.2	10.9/14.5	6.4/7.3	8.1/10.0	143/137	8.2/9.1
<b>1.9TTiD (130PS)</b> Man 6 spd	122	18	49.6	68.9	61.4	5.7	4.1	4.6	127	10.7
<b>1.9TTiD (160PS)</b> Man 6 spd/Auto 6 spd	122/159	18/23	49.6/35.8	68.9/56.5	61.4/47.1	5.7/7.9	4.1/5.0	4.6/6.0	137/134	9.3/9.8
<b>1.9TTiD (180PS)</b> Man 6 spd/Auto 6 spd	122/159	18/23	49.6/35.8	68.9/56.5	61.4/47.1	5.7/7.9	4.1/5.0	4.6/6.0	140/137	8.3/8.4
<b>1.9TTiD (180PS) Aero / 9-3X</b> Man 6 spd/Auto 6 spd	135/159	19/23	44.1/35.8	64.2/56.5	55.4/47.1	6.4/7.9	4.4/5.0	5.1/6.0	140/137	8.3/8.4

City/Highway/Combined fuel consumption and CO<sub>2</sub> combined, according to EC80/1268.

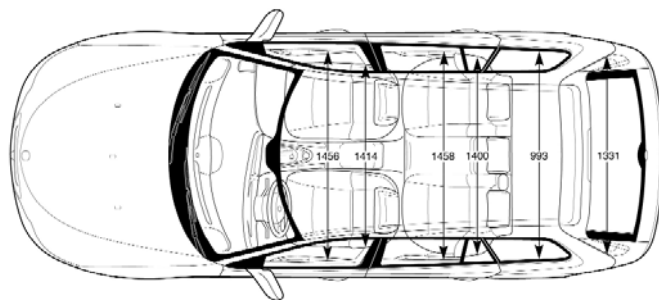
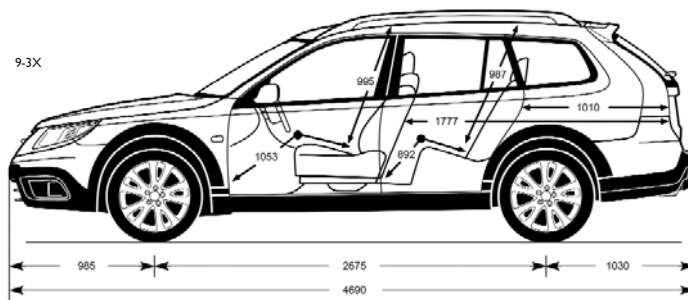
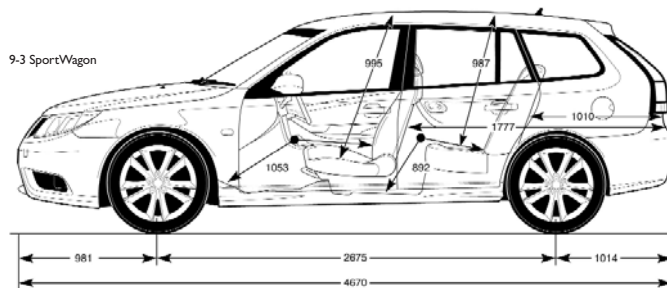
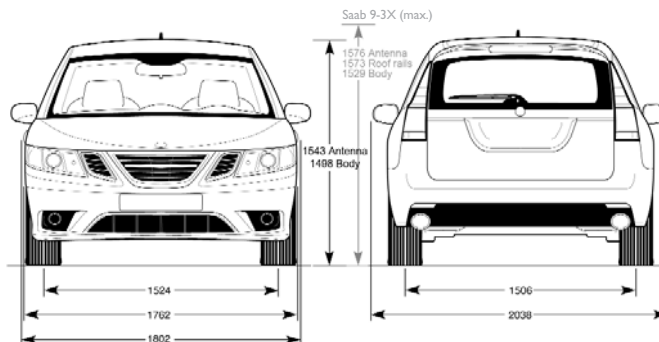
In addition to the fuel efficiency of a car, driving behaviour as well as other non-technical factors play a role in determining a car's fuel consumption and CO<sub>2</sub> emissions.

# Dimensions

## Saab 9-3 Saloon, mm



## Saab 9-3 SportWagon and 9-3X, mm



# Getting Personal

Fine tuning your Saab exactly the way you want it.



**Wind deflector for 9-3 convertible**  
Reduces back draught and enhances comfort when driving with the hood down. Easy to fit and fold for convenient storage.

**Rear spoiler**  
Boosts the dynamic design and gives your car a sportier appearance.



**Scratch protection mat**  
Stored, folded and secured inside the luggage compartment sill. Pulled out to protect bumper and vulnerable loads. Can be used as a waterproof seating mat. Storage bag with shoulder strap.

**Roof box**  
Low profile, aerodynamic design. Made of sturdy glass-fibre reinforced polyester. Dual gas filled struts raise the top. Central locking. Volume 460 litres.



**Accessory wheel**  
5-spoke Claw 18x7 1/2"

**Bike holder with towbar**  
Easily fitted, approved for the towbar. Space for two bikes (three with adaptor). Dual lock function. Fold-down function for easier access to luggage compartment.



## Available accessories for the 9-3

### Exterior styling and performance

- Rear spoiler
- Front spoiler
- Body kit
- Foglamps
- Sport exhaust
- Engine upgrade

### Carriers and towing

- Integrated roof rails
- Travel roof box
- Sport roof box
- Bike holder with lift
- Bike holder
- Tow bars
- Caravan mirrors

### Protection

- Cargo mat
- Cargo guard
- Cargo space divider
- Cargo net
- Floor cargo net
- Scratch protection/seating mat
- Rear bumper protection film
- Textile mats
- Rubber floor mats
- Wind deflector (convertible only)

### Audio and communications

- Pogo Alert
- Pogo Drive
- iPod holder

### Safety and security

- Rear facing child seat
- Forward facing child seat
- Booster cushion
- Safety vest
- Warning triangle
- First aid kit

# The Saab 9-3 Convertible. Pure inspiration.

With the Saab 9-3 Convertible, inspiration is not just around the corner, it's everywhere. It's in the sleek and sporty design that breathes purity and purpose. It's in the dynamic driver's seat. It's in the turbo power, spirited performance and cutting-edge chassis. Not forgetting the world-class real-life safety and advanced features that enhance driver excitement and convenience further still. With the roof up or down, you can experience it all.





# Linear SE

Clean lines, modern with a discreet edge.



## Pricing and information

	PS	Insurance Group	Basic Price	VAT 20%	Recommended Retail Price	Total On The Road Price*
Linear SE 1.9TTiD	160	26E	£22,310.64	£4,462.13	£26,772.77	£27,577.77
Linear SE 1.8t	150	25E	£21,974.47	£4,394.89	£26,369.36	£27,364.36
Linear SE 1.8t BioPower†	175	28E	£22,485.11	£4,497.02	£26,982.13	£27,967.13

\*Total on the Road Price includes delivery to the Dealer, number plates, 12 months Government Road Fund Licence (Vehicle Excise Duty) and £55 New Vehicle First Registration Fee. From 1 March 2001 Vehicle Excise Duty is payable according to the vehicle's CO<sub>2</sub> emission figure and type of fuel. To find out the duty included in the Total on the Road Price please see table on page 24. The duty may increase with automatic transmission due to increased CO<sub>2</sub> emissions.

†BioPower models are flex-fuel vehicles capable of running on standard unleaded petrol, E85 bioethanol or any combination thereof. The performance figures shown are for a car running on E85 bioethanol.

### Standard Wheel



16" 14-spoke alloy wheel  
(ALU72)

### Optional Wheel



17" 5-spoke alloy wheel  
(ALU59)

### Optional Wheel\*



17" 5-spoke alloy wheel  
(ALU81)

\*Available only with TX Design Pack

# Vector Sport

Inspired driving.



## Pricing and information

	PS	Insurance Group	Basic Price	VAT 20%	Recommended Retail Price	Total On The Road Price*
Vector Sport 1.9TTiD	160	27E	£24,531.91	£4,906.38	£28,438.29	£30,243.29
Vector Sport 1.9TTiD	180	31E	£25,621.28	£5,124.26	£30,745.54	£31,550.54
Vector Sport 1.8t	150	25E	£24,195.74	£4,839.15	£29,034.89	£30,029.89
Vector Sport 1.8t BioPower†	175	29E	£24,706.38	£4,941.28	£29,647.66	£30,632.66

\*Total on the Road Price includes delivery to the Dealer, number plates, 12 months Government Road Fund Licence (Vehicle Excise Duty) and £55 New Vehicle First Registration Fee. From 1 March 2001 Vehicle Excise Duty is payable according to the vehicle's CO<sub>2</sub> emission figure and type of fuel. To find out the duty included in the Total on the Road Price please see table on page 24. The duty may increase with automatic transmission due to increased CO<sub>2</sub> emissions.

†BioPower models are flex-fuel vehicles capable of running on standard unleaded petrol, E85 bioethanol or any combination thereof. The performance figures shown are for a car running on E85 bioethanol.

### Standard Wheel



17" 5-spoke alloy wheel (ALU59)

### Standard Wheel



17" 5-spoke Split alloy wheel (ALU50)

### Optional Wheel



18" 10-spoke alloy wheel (ALU65)

### Optional Wheel\*



17" 5-spoke alloy wheel (ALU81)

# Aero

Intense driving experience.



## Pricing and information

	PS	Insurance Group	Basic Price	VAT 20%	Recommended Retail Price	Total On The Road Price*
Aero 1.9TTiD	180	31E	£27,646.81	£5,529.36	£33,176.17	£33,981.17
Aero 2.0T	210	32E	£27,225.53	£5,445.11	£32,670.64	£33,665.64

\*Total on the Road Price includes delivery to the Dealer, number plates, 12 months Government Road Fund Licence (Vehicle Excise Duty) and £55 New Vehicle First Registration Fee. From 1 March 2001 Vehicle Excise Duty is payable according to the vehicle's CO<sub>2</sub> emission figure and type of fuel. To find out the duty included in the Total on the Road Price please see table on page 24. The duty may increase with automatic transmission due to increased CO<sub>2</sub> emissions.

### Standard Wheel



18" 10-spoke alloy wheel (ALU65)

### Optional Wheel



18" V-spoke split alloy wheel (ALU73)

### Optional Wheel\*



18" 6-spoke alloy wheel (ALU77)

\*Available only with TX Design Pack

# Saab 9-3 Convertible Standard Features

	Linear SE	Vector Sport	Aero
<b>Interior</b>			
Thila/Textile Hydroblox sport seats	●		
Leather faced sport seats		●	●
Heated front seats	●	●	●
Leather steering wheel	●		
Sport leather steering wheel		●	
Perforated sport leather steering wheel			●
Leather gear knob	●	●	●
Metal-finish interior trim (gearlever surround and fascia)		●	●
Adjustable steering wheel; height and reach	●	●	●
Audio/telephone controls in steering wheel	●	●	●
Bluetooth phone integration system*	●	●	●
CargoSET – self expanding boot	●	●	●
Dual-zone automatic climate control with cooled glove box	●	●	●
Driving Pack (cruise control and car computer)	●	●	●
Comfort Pack (cupholders, adjustable driver's armrest, carpet mats)	●	●	●
Electric windows; front and rear	●	●	●
One touch closing windows with remote opening windows and hood	●	●	●
Facility for hands-free mobile telephone fitment	●	●	●
Front ashtray with cigar lighter	●	●	●
Illuminated vanity mirrors	●	●	●
Interior light delay	●	●	●
Multi-purpose centre console (storage, armrest, coin holder, 12v socket)	●	●	●
Night Panel function	●	●	●
Pollen cabin filter	●	●	●
Saab Information Display including Profiler system for personalised settings	●	●	●
Single CD player, 7 speakers, 150w	●	●	●
Tinted windows with heat absorbent glass	●	●	●
<b>Security</b>			
Anti-theft alarm and immobiliser, Thatcham Category 1	●	●	●
Remote control central locking with dead locks	●	●	●
Visible VIN plate	●	●	●

\*Not all phones support full integration. For confirmation of the level of functionality, please visit your Dealer to test your phone with the system.

	Linear SE	Vector Sport	Aero
<b>Powertrain and Chassis</b>			
16" alloy wheels (14 spoke, ALU72)	●		
17" alloy wheels (5-spoke, ALU59)		●	
18" alloy wheels (10-spoke ALU65)			●
Anti-lock Braking System (ABS)	●	●	●
Cornering Brake Control (CBC)	●	●	●
Dual balancer shafts (petrol engines)	●	●	●
Electronic Brake-force Distribution (EBD)	●	●	●
Performance brakes			●
Manual 6-speed gearbox	●	●	●
Mechanical Brake Assist (MBA)	●	●	●
Power steering	●	●	●
Space saver spare wheel	●	●	●
Tyre pressure monitoring system			●
Traction Control System (TCS)	●	●	●
Sport chassis			●
Electronic Stability Programme (ESP)	●	●	●
<b>Exterior and Lighting</b>			
'Follow me home' headlight delay function	●	●	●
Bi-xenon headlights with headlight pressure washers			●
Front fog lights	●	●	●
Colour-matched exterior	●	●	●
Aero front and rear bumpers with twin sport exhausts			●
Electrically adjustable and heated door mirrors	●	●	●
Fully automatic hood, including auto-latching	●	●	●
Rear bootlid spoiler			●
Mobile telephone antenna	●	●	●
Rear parking assistance	●	●	●
<b>Safety</b>			
Adaptive dual stage driver's and front passenger's airbags	●	●	●
Dynacage roll-over protection	●	●	●
Front seat integrated seatbelts	●	●	●
Head/thorax side airbags, front seat mounted	●	●	●
High level brake light	●	●	●
ISOFIX rear child seat anchorage points	●	●	●
Load shift protection	●	●	●
Retractable rear head restraints	●	●	●
Saab Active Head Restraints (SAHR), front seats	●	●	●
Saab Safeseat; anti-submarining with four 3-point belts, all seats	●	●	●
Seatbelt pre-tensioners and load limiters; all seats	●	●	●
Side impact protection	●	●	●

# Saab 9-3 Convertible Options

	Linear SE	Vector Sport	Aero
<b>Chassis and Transmission</b>			
17" 5-spoke alloy wheels (ALU59)	£408.51	STD	–
17" 5-spoke Split alloy wheels (ALU50)	–	£102.13	–
18" 10-spoke alloy wheels (ALU65) with tyre pressure monitoring system	–	£817.02	STD
18" V-spoke Split alloy wheels (ALU73)	–	–	£255.32
Tyre pressure monitoring system (17" ALU81 wheels only)	£204.26	£204.26	–
Sport chassis (not available on diesel non-Aero models) (not available with 16" wheels)	£255.32	£255.32	STD
Automatic 5-speed transmission (1.8t, 1.8t BioPower & 2.0T engines)	£1,378.72	£1,378.72	£1,378.72
Automatic 6-speed transmission (1.9TTiD engines)	£1,378.72	£1,378.72	£1,378.72
<b>Interior</b>			
Leather faced sport seats	£817.02	STD	STD
Leather faced sport seats – two tone	–	£255.32	£255.32
Premium Natural leather sport interior trim	–	£1,174.47	£1,174.47
Electric driver's seat	£561.70	£561.70	£561.70
Carbon fibre effect interior trim	–	–	£199.15
<b>Infotainment</b>			
Six-disc CD autochanger	£204.26	£204.26	£204.26
Premium audio, Six-disc CD autochanger, 10 speakers, 300w	£459.57 <sup>i</sup>	£459.57	£459.57
DVD Satellite Navigation, 6.5" colour touchscreen, TMC, voice control <sup>ii</sup>	£2,022.13	£2,022.13	£2,022.13
DVD Satellite Navigation, 6.5" colour touchscreen, TMC, voice control, 10 speakers, premium audio, 300w <sup>*</sup>	£2,277.45 <sup>i</sup>	£2,277.45	£2,277.45
<b>Exterior and Lighting</b>			
Metallic paint	£536.17	£536.17	£536.17
Headlight pressure washers	£204.26	£204.26	STD
Bi-Xenon cornering headlights with auto levelling and headlight pressure washers	£1,016.17	£1,016.17	£403.40
Blue hood	£122.55	£122.55	£122.55
Grey hood	£122.55	£122.55	£122.55
Sand hood <sup>*</sup>	£122.55	£122.55	£122.55

	Linear SE	Vector Sport	Aero
<b>Convenience Pack</b> Electric folding mirrors, auto dimming interior and exterior mirrors, rain sensor wipers	£403.40	£403.40	£403.40
<b>Convenience Plus Pack</b> Dual electric seats with driver's 3-position memory, electric folding mirrors, auto dimming interior and exterior mirrors, rain sensor wipers	£1,271.49	£1,271.49	£1,271.49
<b>Executive Pack<sup>#</sup></b> Premium Natural leather sport interior trim, dual electric seats with driver's 3-position memory	–	£1,736.17	£1,736.17
<b>Performance Pack</b> Bi-xenon cornering headlights, headlight pressure washers, 18" 10-spoke alloy wheels (ALU65), tyre pressure monitoring system	–	£1,322.55	–
<b>Prestige Pack<sup>#</sup></b> Dual electric seats with driver's 3-position memory, Premium audio, Six-disc CD autochanger, 300w, 10 speakers	–	£1,276.60	£1,276.60
<b>TX Design Pack</b> Aero front bumper with anthracite insert, anthracite rear bootlid handle, titanium finish grille and fog light surrounds, 17" 5-spoke alloy wheels (ALU81), perforated leather sport steering wheel, carbon fibre effect interior trim, carpet floor mats with grey edge piping	£607.66	£607.66	–
<b>TX Design Pack</b> Front bumper anthracite insert, rear bumper anthracite insert and twin round tailpipes, anthracite rear bootlid handle, titanium finish grille and fog light surrounds, 18" 6-spoke alloy wheels (ALU77), carbon fibre effect interior trim, carpet floor mats with grey edge piping	–	–	£607.66

<sup>i</sup>Only available with Leather faced sport seats.

<sup>ii</sup>Not available with Six-disc CD autochanger.

<sup>\*</sup>Only available with Arctic White, Black and Jet Black exterior paint.

<sup>#</sup>Must be combined with Convenience Pack.

Option prices incl. VAT at 20%.

# Interior Trim Colour

## Convertible

Seat Style	Trim Code	Seat Colour	Dashboard (upper   lower)	Door Inserts	Carpet	Headlining
<b>Thila/Textile Hydrobox</b>	B39	●	●	●	●	○
	L39	○	●   ○	○	●	○
<b>Leather Sport</b>	B20	●	●	●	●	○
	L20	○	●   ○	○	●	○
<b>Leather Sport – Two Tone</b>	B06	●   ○	●	●	●	○
	L06	○   ●	●   ○	○	●	○
<b>Premium Natural Leather Sport</b>	B52	●	●	●	●	○
	K52	●   ●	●	●	●	○
	L52	○	●   ○	○	●	○

Black ● Grey ● Parchment ○



Aero interior with black leather faced sport seats (B20)

# Engine Specifications

Engine	Cylinder layout	Type	Fuel	Displacement (cc)	Power PS (kW) at rpm	Torque Nm (lb ft) at rpm	Turbocharger	Intercooler	Diesel Particle Filter	Emissions level
<b>1.8t</b>	4cyl	Low pressure turbo	Petrol	1998	150 (110) at 5500	240 (177) at 2000	Yes	Yes	–	Euro 5
<b>1.8t BioPower</b>	4cyl	Low pressure turbo	Petrol	1998	175 (129) at 5500	265 (195) at 2500	Yes	Yes	–	Euro 5
<b>2.0T</b>	4cyl	High pressure turbo	Petrol	1998	210 (154) at 5300	300 (221) at 2500	Yes	Yes	–	Euro 5
<b>1.9TTiD</b>	4cyl	Twin turbo	Diesel	1910	160 (118) at 4000	360 (266) at 1750	Yes (x2)	Yes	Yes	Euro 5
<b>1.9TTiD</b>	4cyl	Twin turbo	Diesel	1910	180 (132) at 4000	400 (295) at 1800	Yes (x2)	Yes	Yes	Euro 5

# Fuel Consumption and Performance

## Saab 9-3 Convertible

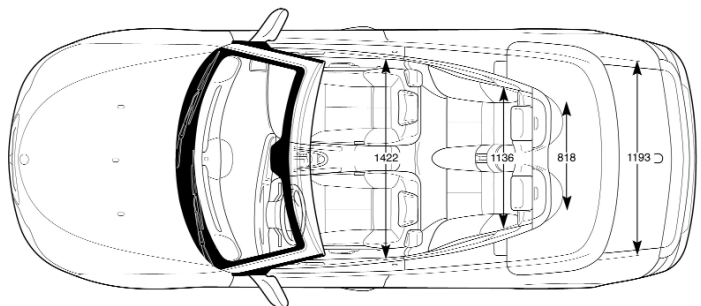
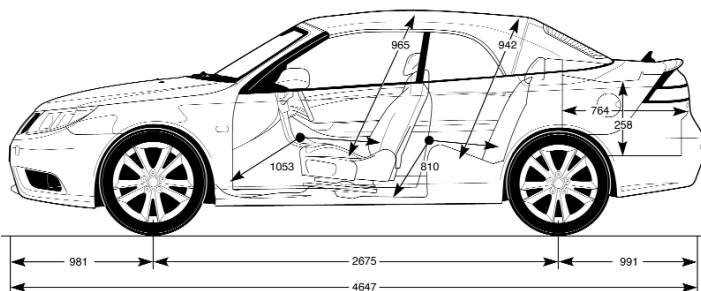
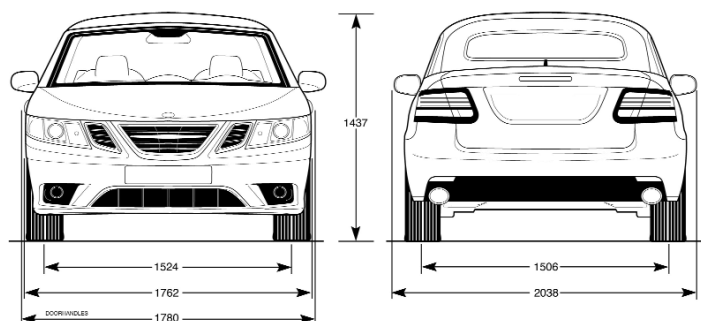
Engine Transmission	Emissions	P11D Band	Fuel economy MPG			Fuel economy Litres/100km			Performance	
	CO <sub>2</sub> (g/km)	%	City	Highway	Combined	City	Highway	Combined	Top speed (mph)	0-60 mph (sec)
<b>1.8t (150PS)</b> Man 6 spd/Auto 5 spd	176/209	24/30	26.4/21.7	47.9/41.5	36.7/31.0	10.7/13.0	5.9/6.8	7.7/9.1	127/131	10.0/11.0
<b>1.8t BioPower (175PS)</b> Man 6 spd/Auto 5 spd	176/209	22/28	26.4/21.7	47.9/41.5	36.7/31.0	10.7/13.0	5.9/6.8	7.7/9.1	131/131	8.4/9.6
<b>2.0T (210PS)</b> Man 6 spd/Auto 5 spd	179/214	24/31	25.9/21.1	47.1/40.9	36.2/30.4	10.9/13.4	6.0/6.9	7.8/9.3	140/140	7.7/9.0
<b>1.9TTiD (160PS)</b> Man 6 spd/Auto 6 spd	137/162	19/24	44.1/35.3	62.8/56.5	54.3/45.6	6.4/8.0	4.5/5.0	5.2/6.2	130/127	10.0/10.3
<b>1.9TTiD (180PS)</b> Man 6 spd/Auto 6 spd	137/162	19/24	44.1/35.3	62.8/56.5	54.3/45.6	6.4/8.0	4.5/5.0	5.2/6.2	134/130	8.7/9.0

City/Highway/Combined fuel consumption and CO<sub>2</sub> combined, according to EC EC80/1268.

In addition to the fuel efficiency of a car, driving behaviour as well as other non-technical factors play a role in determining a car's fuel consumption and CO<sub>2</sub> emissions.

# Dimensions

## Saab 9-3 Convertible, mm



# Specifications

### Transmission

Transverse drive unit and front wheel drive.  
Full synchromesh, 6-speed manual gearbox.  
Optional 5-speed, electronically controlled automatic transmission with Sentronic steering wheel shift controls.  
Optional 6-speed electronically controlled automatic transmission with Sentronic steering wheel shift controls (1.9TTiD (160PS), 1.9TTiD (180PS) only).

### Traction Control System (TCS)

Monitors and reduces wheel-spin on the driven wheels individually by controlling the brakes and the electronic throttle.

### Electronic Stability Programme (ESP)

Monitors and reduces skidding. Compares steering input, lateral acceleration and rotation of each wheel. Controls the brakes and the electronic throttle. Includes traction control system (TCS).

### Steering

Power-assisted rack and pinion steering.  
Steering wheel adjustable for rake and reach.  
Turning circle diameter 10.8 m (kerb to kerb).

### Brakes

Power-assisted disc brakes all round, ventilated at the front.  
Ventilated rear disc brakes (Aero).  
Anti-lock Braking System (ABS) with Electronic Brake-force Distribution (EBD), Mechanical Brake Assist (MBA) and Cornering Brake Control (CBC).  
Handbrake acting on separate rear brake shoes.

### Suspension front

MacPherson spring struts with twin tube gas shock absorbers.  
Anti-roll bar.

### Suspension rear

Independent multi-link rear suspension.  
Spring struts with gas shock absorbers.  
Anti-roll bar.

### Fuel tank capacity

58 litres.  
61 litres BioPower.

### Luggage compartment

Volume 352 litres VDA;  
Roof down: 258 litres VDA.

### Weights

Max. trailer load: 1,600 kg.  
Kerb weight: 1,660–1,835 kg depending on specification.  
Max. total weight: 2,040–2,140 kg depending on specification.



# Saab care, Warranty and Saab Finance

## New Car Warranty

Your Saab is supplied with three years' cover against manufacturing defects with no mileage limitations in years one and two and limited to 60,000 miles in year three. Additionally, a ten years' anti-corrosion warranty is provided.

## Saab Sureguard

After 3 years or 60,000 miles your manufacturer's warranty is no longer valid and you become vulnerable to the cost of any mechanical work that your car may need, but this doesn't have to be the case.

## Sureguard Extended Warranty including MOT Test Insurance and Saab Assistance

- Increase your warranty to either 4 years 80,000 miles or 5 years 100,000 miles
- Major mechanical and electrical components are covered against breakdown or failure
- Cover for both parts and labour, with no excess or hidden charges to pay
- No limit to the number of claims you can make
- Claim in aggregate up to the original purchase price paid for your vehicle
- Replacement vehicle hire, up to £30 a day for 7 days in the event of failure (if breakdown assistance is not required)
- Covered whilst travelling in Europe for 60 days per year

## Sureguard Mileage Upgrade – for high mileage drivers

- Increase your warranty to either 3 years 80,000 miles or 3 years 100,000 miles
- All major mechanical and electrical components are covered against breakdown or failure
- Cover for both parts and labour, with no excess or hidden charges to pay
- Cover starts as soon as your vehicle exceeds 60,000 miles
- No limit to the number of claims you can make
- Claim in aggregate up to the original purchase price paid for your vehicle
- Replacement vehicle hire, up to £30 a day for 7 days in the event of failure (if breakdown assistance is not required)

For a quotation or further information, contact your local Saab Dealer.

All of the above are subject to certain exclusions. For full details of exclusions, terms and conditions please refer to the policy booklet.

## AA Saab Assistance

Three years' breakdown and recovery operated through the AA.

Cover includes:

- Roadside, home assistance and recovery
- UK and European cover
- 2 days' car hire
- Get you home service/hotel accommodation

## Saab Finance

We have a range of personal<sup>®</sup> and business<sup>\*\*</sup> finance offers available, making the Saab experience even more accessible.

To find out more about how we can turn the idea of owning your Saab into a reality, contact your Saab Dealer.

\*Personal Finance by GMAC UK plc subject to status. Applicants must be 18 or over. Conditions apply.

\*\*Business finance by ALD Automotive Ltd., trading as Saab Contract Hire. Conditions apply.

## Saab Commitment to Customer Care

The Saab philosophy extends beyond the design and manufacture of Saab cars; it encompasses an equal commitment to customer care. When you buy a Saab, you buy a comprehensive package which takes care of you and your Saab:

- A unique and personal hand-over programme
- Competitive service and repair prices
- Approved Paint and Bodyshops
- Genuine Saab parts
- Factory trained technicians and Parts staff
- State-of-the-art diagnostic equipment
- Customer follow-up by Saab Great Britain Limited to ensure continuing customer satisfaction

These all ensure maximum efficiency and convenience with minimum cost of ownership. Your Saab Dealership has invested substantially in the right people, premises and equipment to provide you with a service that matches your needs and expectations.

## Saab Insurance

Saab Insurance provides you with motoring peace of mind and convenience you have come to expect from Saab. Our policies provide comprehensive cover and automatically include the following benefits:

- Saab courtesy car for the duration of the repair when using an approved repairer (subject to availability)
  - 24 hour accident recovery helpline
  - 3 year guarantee on all repairs with an approved repairer
  - Saab approved repairs using only Saab Genuine Parts
- For a quotation call 0845 300 1265

## Saab 7 Day Insurance

Free 7 day insurance cover is available on most new and used Saabs (conditions apply), to make buying your car more convenient. With no delays waiting for insurance quotes and cover-notes to arrive in the post, you can take off with your new car in no time. This free 7 day insurance offer is available from your local Saab Dealer.

This free 7 day insurance offer is underwritten by Provident Insurance PLC, authorised and regulated by the Financial Services Authority. Free 7 day insurance in Northern Ireland is underwritten by AXA Insurance Limited, regulated by the Financial Regulator and obliged to comply with the Insurance Conduct of Business rules issued by the Financial Services Authority.

## Total On The Road Price

This includes:

- Delivery to the Dealer
- Number plates
- 12 months' Road Fund Licence
- New Vehicle First Registration Fee
- A unique and personal hand-over programme embracing direct customer follow-up by Saab Great Britain Limited to ensure continuing customer satisfaction
- A full 24 hour Emergency Service, AA Saab Assistance
- National Vehicle Security Register. To help protect your Saab from theft, all new Saabs are automatically added to the National Vehicle Security Register which provides permanent protection against buyers being defrauded with stolen vehicles

Other items are subject to additional charges which will depend upon each customer's individual requirements established with the supplying Dealer.

# Vehicle Excise Duty and Company Car Taxation

## Vehicle Excise Duty

The amount of Vehicle Excise Duty (VED) payable on new cars varies depending on the level of carbon dioxide (CO<sub>2</sub>) emissions produced by the vehicle. CO<sub>2</sub> emissions are measured in grammes (g) per kilometre (km) travelled and divided into charging bands for each fuel type as shown in the table opposite.

## Automatic Transmission

Due to the change in CO<sub>2</sub> emissions with the fitment of automatic transmission, the VED may also change. As such, it will be possible to calculate the on-the-road price as follows;

## Example

**9-3 Vector Sport 1.9TTiD (160PS), Saloon (CO<sub>2</sub> emissions – 119g/km, Band C)**

<b>On-the-road price (Manual)</b>	£26,037.98
Add: Automatic transmission (CO <sub>2</sub> emissions – 154g/km, Band G)	£1,378.72
Add: Additional vehicle excise duty (Band C to Band G)	£155.00
<b>Total on-the-road price (Automatic)</b>	<b>£27,571.70</b>

## Benefit in Kind Company Car Taxation\*

The car benefit charge will be the car's list price (including VAT, options and accessories fitted, delivery to Dealer and number plates, but excluding Vehicle Excise Duty and new vehicle first registration fee) multiplied by the percentage charge for the CO<sub>2</sub> emissions band in which the car falls (see table opposite). Multiply this figure by your personal income tax rate to calculate your annual benefit in kind tax liability.

## Example (2010–11 tax year)

**9-3 Vector Sport 1.9TTiD (160PS), Saloon (CO<sub>2</sub> emissions – 119g/km)**

<b>On-the-road price</b>	£26,036.98
Deduct: Vehicle Excise Duty	£0.00
New vehicle first registration fee	£55.00
<b>List price for P11D tax purposes</b>	<b>£25,982.98</b>
<b>Car benefit charge</b>	
13% tax band	£3,377.79
<b>Benefit in kind tax liability (2010-11 tax year)</b>	
20% tax payer	£675.56
40% tax payer	£1,351.12
50% tax payer	£1,688.90

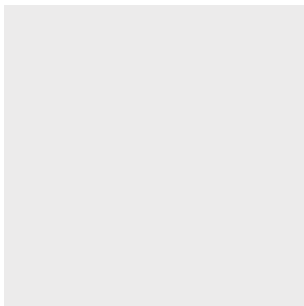
\*Please note this Price Guide provides taxation information as a guide only. Saab Great Britain Limited does not purport to provide taxation guidance. Driver's should always take professional advice for their own tax position.

## 2010-11 CO<sub>2</sub> emissions table

VED Bands	CO <sub>2</sub> emissions (g/km)	Petrol/Diesel	Bioethanol
A	Up to 100	£0	£0
B	101–110	£0	£0
C	111–120	£0	£0
D	121–130	£0	£0
E	131–140	£110	£100
F	141–150	£125	£115
G	151–165	£155	£145
H	166–175	£250	£240
I	176–185	£300	£290
J	186–200	£425	£415
K	201–225	£550	£540
L	226–255	£750	£740
M	256 and above	£950	£940

CO <sub>2</sub> emissions (g/km) per kilometre	Percentage of car's price to be taxed		
	2010/11 tax year	Petrol car	Diesel car
120 or less	10	13	10
121-134	15	18	13
135-139	16	19	14
140-144	17	20	15
145-149	18	21	16
150-154	19	22	17
155-159	20	23	18
160-164	21	24	19
165-169	22	25	20
170-174	23	26	21
175-179	24	27	22
180-184	25	28	23
185-189	26	29	24
190-194	27	30	25
195-199	28	31	26
200-204	29	32	27
205-209	30	33	28
210-214	31	34	29
215-219	32	35	30
220-224	33	35	31
225-229	34	35	32
230 and above	35	35	33

# Exterior Colours



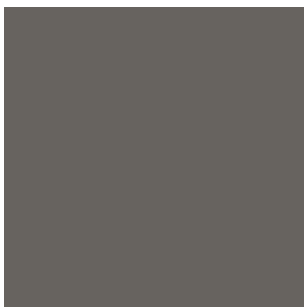
Arctic White solid



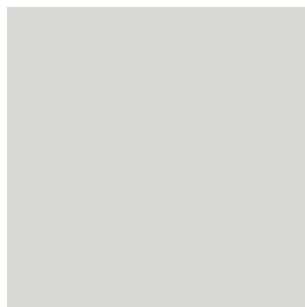
Black solid\*



Laser Red solid



Carbon Grey metallic



Diamond Silver metallic



Glacier Silver metallic



Jet Black metallic



Nocturne Blue metallic\*



Java metallic\*

Due to limitations in the printing process, the colours shown may differ slightly from the actual paint colour.

\*Not available with 9-3X models.



[saab.co.uk](http://saab.co.uk)

Saab Great Britain Limited, Martell House, University Way, Cranfield, Bedfordshire, MK43 0TR

Every effort has been made to ensure that the contents of this publication were up-to-date at the time of going to press (December 2010). The Company reserves the right to alter specifications and withdraw products from sale without notice. Any such alterations will be notified to Saab Dealers at the earliest opportunity; please consult your local Dealer for the latest information. Pictures may show cars fitted with optional extra equipment. Please note that Saab Dealers are not the agents of Saab Great Britain Limited and are not authorised to bind the Company by any specific or implied undertaking or representation. It is advisable to ensure that your motor insurance policy provides adequate cover for additional fitted options and accessories. As part of Saab's policy of environmental care, this brochure is printed on chlorine-free, recyclable paper. All rights reserved. No part of this publication may be reproduced in any form or by any means without the prior written permission of Saab Great Britain Limited.

Saab AB and Saab Automobile AB are today two unaffiliated companies with a common history. Saab Automobile AB manufactures cars and is a subsidiary of Spyker Cars NV. Saab AB has its main operations in defence, aviation, space technology and civil security. For more information about Saab AB, please visit [www.saabgroup.com](http://www.saabgroup.com)

Part No: 75.759506101